



CEMENTING PRODUCT CATALOG

ABSTRACT

- Centralizer
- Stop Collar
- Cementing Plug
- Float Collar & Shoe
- Cementing Basket

ERA Energy Service

2018



Table of Contents

Non-Welded Straight Bow Spring Centralizer	2
Features:	2
Specifications:	3
Stop Collar	4
Features:	5
Set Screw Type Stop Collar	5
Bolt Type Stop Collar	5
Specifications	6
Bolt Type Stop Collar	6
Set Screw Type Stop Collar	6
Non-Rotating Surface Release Cementing Plug	7
Features:	7
Specifications	8
Non-Rotating Float Collar & Float Shoe	9
Features:	9
Specifications:	10
Cementing Basket	11
Features:	11

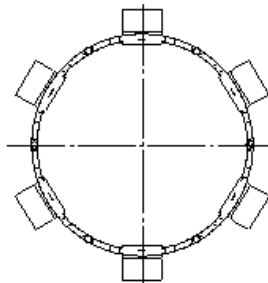
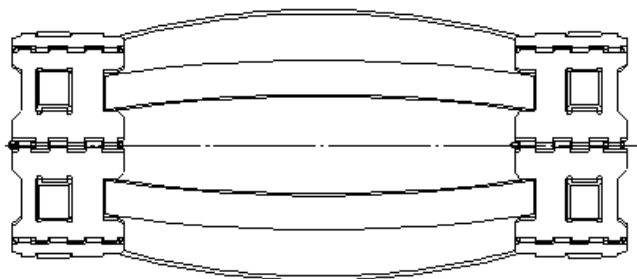
Non-Welded Straight Bow Spring Centralizer

Features:

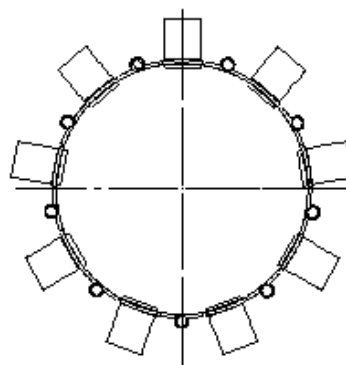
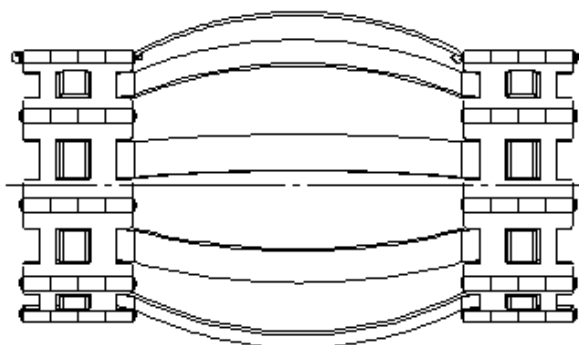
- High-performance bows provide maximum standoff in multiple locations of the annulus, providing the best possible conditions for primary cement to achieve zonal isolation.
- Tested to meet and exceed American Petroleum Institute (API) 1 OD requirements for restoring and starting force, providing reliability and durability for operations.
- Non-welded design can withstand most wellbore environments, providing operational flexibility.
- Bow configurations are available in various heights and sizes suitable for most applications.
- Suited for vertical and deviated well bore, Cased and open holes .Wells where rotation capabilities are not required.
- Hinged design allows for convenient field installation.
- Can be unfolded and stacked flatly, saving storage and transportation cost.
- Improves displacement efficiency when installed with turbo blade



Specifications:



Casing Size (in)	Hole Size (in)	Length (mm)	OD (in)
7	8 3/8 – 8 5/8	560	13.189



Casing Size (in)	Hole Size (in)	Length (mm)	OD (in)
9 5/8	12 – 12 1/4	560	9.134



ERA Energy Services Pty Ltd

ABN: 86 160 665 261
 Level 8, 200 Mary Street, Brisbane, QLD 4000, Australia
 Phone: +61 7 3184 3184
 Email: info@eraenergy.com.au www.eraenergy.com.au

Other Size Available

Hole Size (inches)	Casing Size (inches)											
	2-3/8	2-7/8	3-1/2	4	4-1/2	5	5-1/2	6-5/8	7	7-5/8	8-5/8	9-5/8
4-1/2 to 4-3/4	•	•										
5-3/4 to 6	•	•	•	•	•							
6-1/8 to 6-3/8	•	•	•	•	•	•						
6-1/2 to 6-3/4	•	•	•	•	•	•	•					
7-3/8 to 7-7/8		•	•	•	•	•	•					
8-3/8 to 8-5/8		•	•	•	•	•	•	•	•			
8-3/4 to 9			•	•	•	•	•	•	•	•		
9-1/2 to 10				•	•	•	•	•	•	•		
10-5/8 to 11						•	•	•	•	•	•	
12 to 12-1/4							•	•	•	•	•	•
14 to 15-1/2										•	•	•

Stop Collar

Features:

- Stop collars limit the movement of centralizers on the pipe. Stop collars are manufactured to withstand high axial forces and provide the standoff desired. There are various designs for fastening mechanisms. The most popular 2 designs are as below:

Set Screw Type Stop Collar

The solid collar set-screw device gives excellent gripping force. It is used where high axial loads are expected.



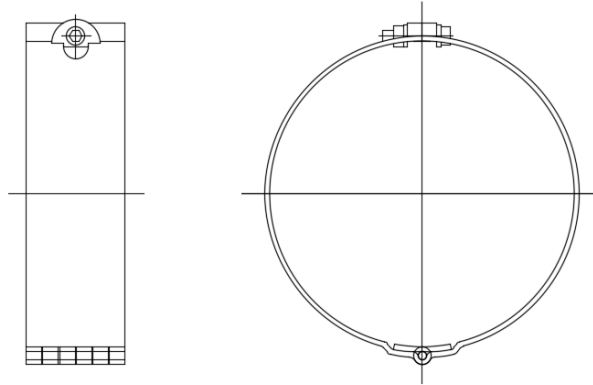
Bolt Type Stop Collar

The stop collar has a cross-bolt design that makes installation quick and easy.



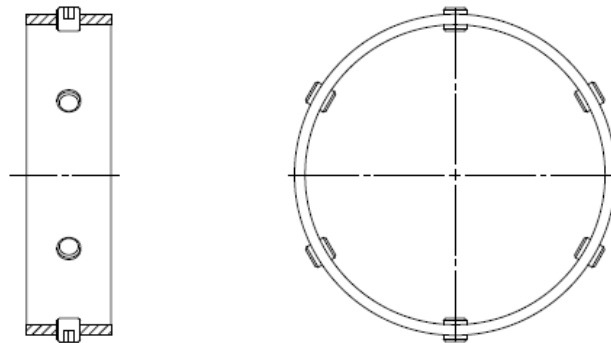
Specifications

Bolt Type Stop Collar



Casing Size (in)	OD (in)
7	8.425
9 5/8	10.984

Set Screw Type Stop Collar



Casing Size (in)	Hole Size (in)	Length (mm)	OD (in)
9 5/8	12 – 12 1/4	560	9.134

Other Size Available Rang from 4 in to 13 3/8 in

Non-Rotating Surface Release Cementing Plug

Features:

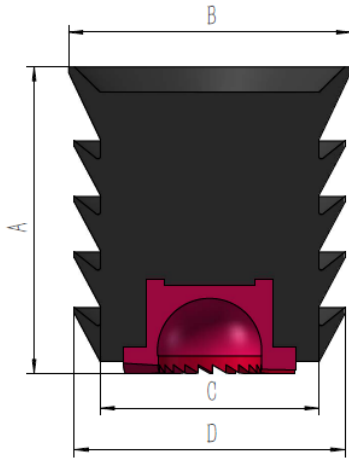
- These series of cementing plug have reinforced locking teeth built into the plugs. The locking teeth lock plugs and the float equipment together to eliminate rotation during drilling to save rig time and cost.
- The plugs are suitable for both PDC and Tricon-bit. Easy to drill out with Bakelite/Resin as core material.
- The polyurethane plug fins offer superior abrasion and wear resistance, providing excellent wiping action, resulting in a clean casing ID after passage.
- Suitable for deep, high-angle wellbores anticipating high displacement and bump pressures as well as shallow vertical wells.
- Suitable for down hole temperature below 120°
- The bottom plug has a diaphragm rupture rating of 200-500 psi. The pressure rating could be customized according to customer's special requirement.
- The plugs are designed to fit in conventional cementing heads and can be run with any conventional ERA float equipment with a non-rotating plate installed at time of manufacture.



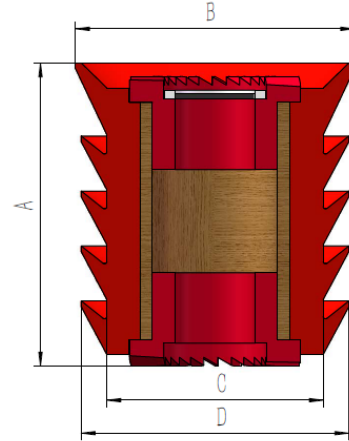
Non-Rotary Top Cementing Plug



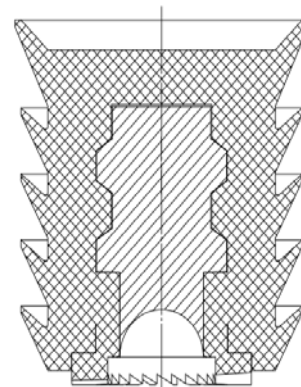
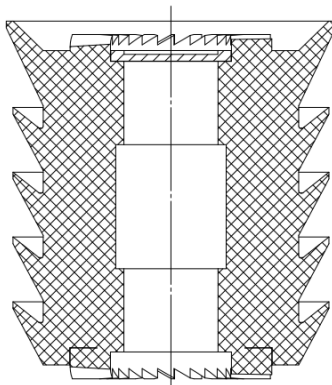
Non-Rotary Bottom Cementing Plug



NON-ROTATING TOP PLUG



NON-ROTATING BOTTOM PLUG



Specifications

Size	Weight Range (lb/ft)	Bump Pressure(psi)	Min. ID(in)	Max. ID(in)	A(in)	B(in)	C(in)	D(in)
7"	20.00-38.00	5000	5.795	6.456	9.53	7.087	5.197	6.673
9 5/8"	32.30-72.30	5000	8.00	9.00	10.75	9.685	7.598	9.252

Other size available from 4 ½ in to 13 3/8 in .

Non- Rotating Float Collar & Float Shoe

Features:

- The float collar and float shoe come with a plastic non-rotating plate to land a multi-tooth non-rotating wiper plug. The non-rotating feature reduces drill-out time.
- Incorporate a spring-loaded check valve, prevent effectively flowing-back of cement from annulus to inner of casing.
- Withstand high back pressure, performances exceed API RP 10F Category IIIC specifications.
- PDC drillable

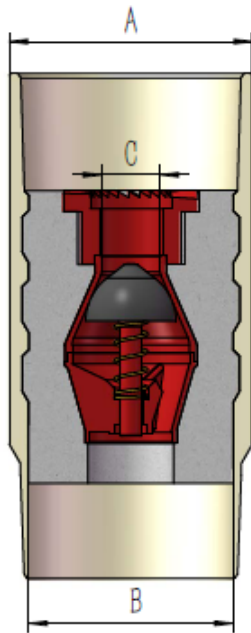
Recommended methods for drilling

- 1) Use flat tooth PDC bit for medium-hard formation;
- 2) Recommended drilling parameters

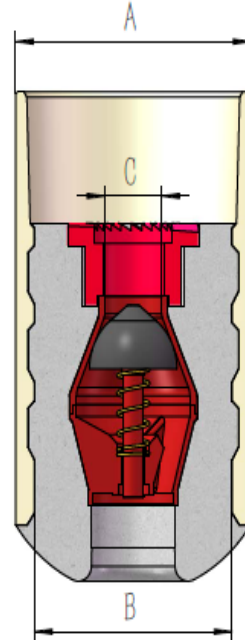
WOB (T): 6600 to 11000 lb

Rotation speed: 40-75 rpm





NON-ROTATING
FLOAT COLLAR



NON-ROTATING
FLOAT SHOE

Specifications:

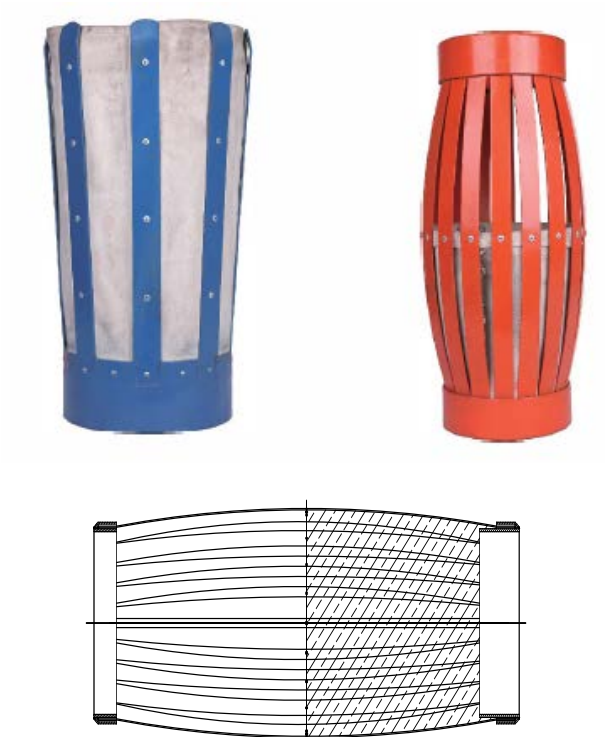
NO.	ITEM	Parameter		
		7"	9 5/8"	
1	Weight Range (lb/ft)	23.00 to 32.00	36.00-47.00	
2	Working Pressure(psi)	5000	3000	
3	Temperature Rating	120°C	120°C	
4	Casing Grade	N80/K55	N80/K55	
5	Casing Thread	BTC	BTC	
6	SIZE	A	7.875"	10.625"
		B	6.25"	8.921"
		C	1.89"	2.56"

Other size available from 4 ½ in to 13 3/8 in

Cementing Basket

Features:

- High-strength metal can withstand excessive hydrostatic pressures exerted by cement columns to prevent formation damage and thereby significantly reduce costs and NPT.
- Flexible, overlapping metal fins aid the basket in forming a bridge in the annulus to prevent cement from falling.



Casing Size	Hole Size	Max OD (mm) ±5	ID(mm)+30
4 ½"	6"	152	116
5 ½"	8 1/2"	216	142
7"	8 1/2"	216	180
7"	8 3/4"	222	180
9 5/8"	12 1/4"	311	247
13 3/8"	17 1/2"	444	343